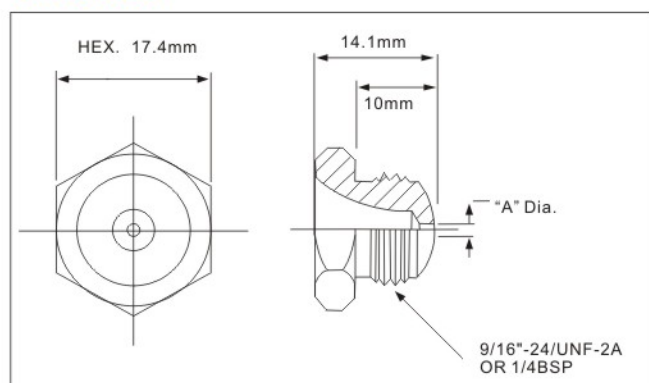


## GD series high pressure needle nozzles



### DIMENSIONS



### COMMON APPLICATIONS

- High pressure swing cleaning of long net part
- High pressure swing cleaning of squeezing part
- Blind hole roller cleaning
- Cleaning of groove roller

### PERFORMANCE DATA

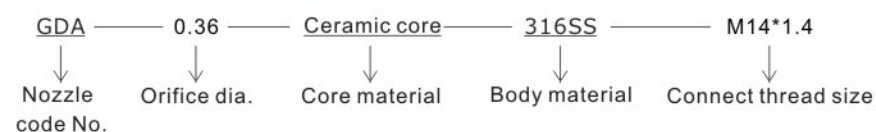
Nozzle size	Capacity size	Orifice Diam.Nom (mm)	Capacity (liters per minute)								
			3Bar	4Bar	5Bar	7Bar	15Bar	30Bar	40Bar	50Bar	60Bar
GDA	14	0.36	0.12	0.13	0.15	0.17	0.25	0.37	0.42	0.47	0.51
	28	0.71	0.42	0.48	0.54	0.63	0.93	1.3	1.5	1.7	1.9
	33	0.84	0.62	0.73	0.81	0.95	1.4	2.0	2.4	2.7	2.9
	40	1.02	0.89	1.0	1.1	1.4	2.0	2.8	3.2	3.6	3.9
	55	1.4	1.6	1.9	2.1	2.4	3.6	5.0	5.8	6.5	7.0
	70	1.78	2.7	3.1	3.5	4.2	6.1	8.8	10	11	13
	94	2.39	4.5	5.2	5.9	7.0	10	15	18	20	22
	125	3.18	7.3	8.5	9.6	11	17	25	30	33	37

### PT Performance Data <1/4BSP>

Nozzle Model		Orifice diameter (mm)	Capacity (liters per min)											
Standard	Lengthen type		3Bar	5Bar	7Bar	10Bar	15Bar	20Bar	30Bar	40Bar	50Bar	60Bar	70Bar	80Bar
GDB	GDC	0.8	0.54	0.70	0.83	1.00	1.22	1.41	1.73	2.00	2.23	2.45	2.64	2.83
		0.9	0.69	0.89	1.05	1.26	1.55	1.79	2.19	2.53	2.83	2.10	3.35	3.58
GDE	GDD	1.0	0.85	1.10	1.30	1.56	1.91	2.21	2.70	3.12	3.49	3.83	4.13	4.42
		1.2	1.23	1.59	1.88	2.25	2.75	3.18	3.90	4.5	5.03	5.51	5.95	6.36
		1.5	1.92	2.48	2.94	3.51	4.30	4.97	6.09	7.03	7.86	8.61	9.30	9.59
GDG	GDH	1.8	2.77	3.58	4.23	5.06	6.20	7.16	8.77	10.1	11.3	12.4	13.4	14.3
		2.0	3.42	4.42	5.23	6.25	7.66	8.84	10.8	12.5	13.9	15.3	16.4	17.6

GDF Ruby Inlay	
Nozzle Model	Inch
GDF-15-316RBY	0.015" [0.38mm]
GDF-20-316RBY	0.020" [0.51mm]
GDF-25-316RBY	0.025" [0.64mm]
GDF-30-316RBY	0.030" [0.76mm]
GDF-35-316RBY	0.035" [0.89mm]
GDF-40-316RBY	0.040" [1.02mm]
GDF-40-316RBY	0.045" [1.14mm]

### ORDERING INFORMATION



Note : GDF-Ruby&GDA-SS connect thread size is 16-24UNF-ZA  
If the nozzle type have not core ,Do not need provide it .