

B series full cone spray nozzles

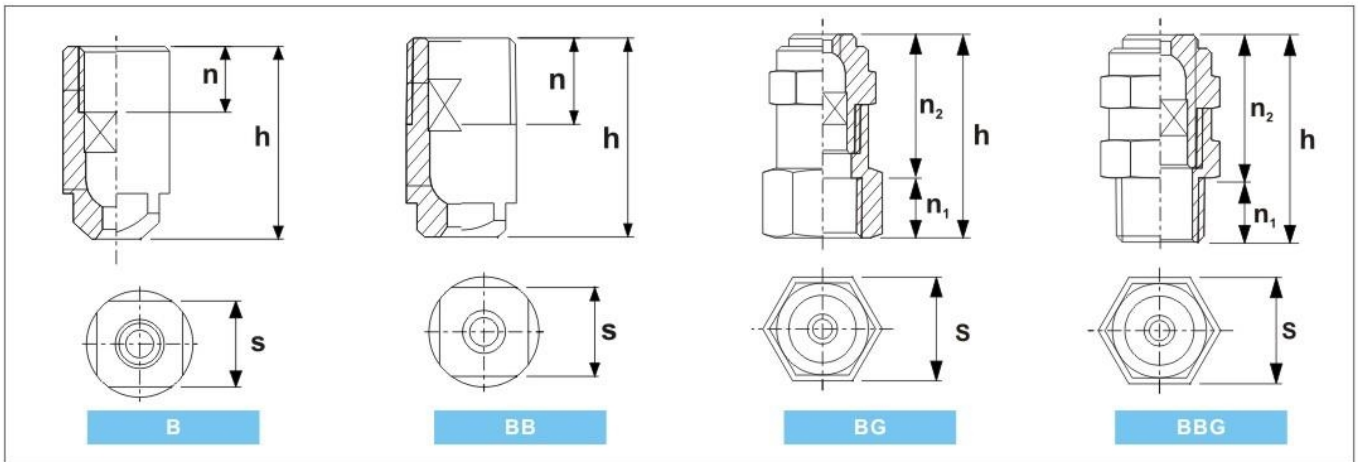


DESIGN FEATURES

B series full cone spray nozzle features a solid cone-shaped spray pattern with a round impact area and spray angles between 43° and 106°. They produce a uniform distribution of large-sized drops over a wide range of flow rates and pressures. This uniform spray distribution results from a unique vane design with large and easy flow passages and superior spray control characteristics. B series full cone nozzles are precision engineered and manufactured to exacting dimensions to ensure accurate and reliable performance. They produce excellent results in spraying applications requiring complete coverage of an area or zone.

B series full cone nozzles feature removable caps and vanes and are well-suited for header or manifold installations. Their design makes it possible to remove the working end (cap & vane) from the nozzle for inspection or cleaning, without having to remove the nozzle body from the header.

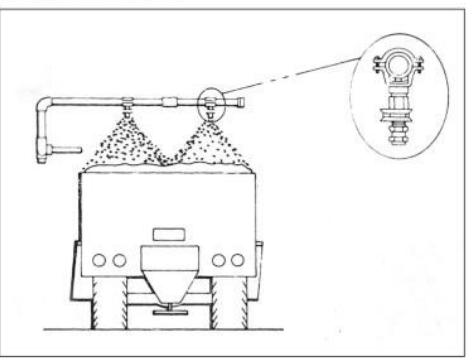
Material: Brass, SS, 316SS



DIMENSIONS & WEIGHTS

Series	Innet conn.					Dimensions(mm)					Weight(g)	
	1/8	1/4	3/8	1/2	3/4	1	n	n1	n2	s	h	SS303
B					•	•	20			32	55.5	210
							22			38	70.0	370
BB		•					12			14	23	10
			•				14			17	30	30
				•			17			21	35	40
					•	•	20			27	40.5	100
							22			33	53	200
BG	•						9	22	14.3	31	30	
		•					12	25.5	17.5	37.5	40	
			•				14	32	20.6	46	70	
				•			17	40	25.4	57	170	
BBG	•						9	23.5	14.3	32.5	20	
		•					12	27.5	17.5	39.5	40	
			•				14	33	20.6	47	70	
				•			17	39.5	25.4	56.5	170	

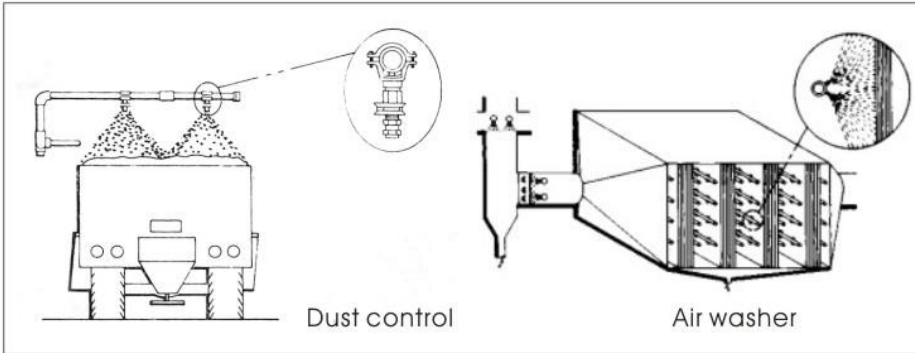
Dust control



PERFORMANCE DATA

Standard angle

Nozzle inlet Conn. NPT or BSPT	Capacity size	Nozzle type				Orific Diam. Nom.(mm)	Max free passage Diam. (mm)	Capacity (liters per minute)							
		F(conn.)		M(conn.)				0.5Bar	0.7bar	1.5Bar	2Bar	3Bar	4Bar	5Bar	6Bar
		B	BG	BB	BBG										
1/8	1		●		●	0.79	0.6		0.4	0.5	0.6	0.7	0.9	0.9	1.0
	1.5		●		●	1.2	0.6	0.5	0.7	0.8	0.9	1.1	1.3	1.4	1.5
	2		●		●	1.2	1.0	0.7	0.9	1.1	1.2	1.5	1.7	1.9	2.0
	3		●		●	1.5	1.0	1.0	1.4	1.6	1.9	2.2	2.5	2.8	3.1
	3.5		●		●	1.6	1.3	1.1	1.6	1.9	2.2	2.6	3	3.3	3.6
	3.9					2.0	1.0	1.3	1.8	2.1	2.4	2.9	3.3	3.7	4.0
	5		●		●	2.0	1.3	1.6	2.3	2.7	3.1	3.7	4.2	4.7	5.1
6.1					2.3	1.3	2.0	2.8	3.3	3.8	4.5	5.2	5.7	6.2	
1/4	6.5		●	●	●	2.4	1.6	2.1	3.0	3.5	4.0	4.8	5.5	6.1	6.7
	10		●	●	●	3.2	1.6	3.3	4.7	5.4	6.2	7.4	8.5	9.4	10.2
	12.5					3.2	1.6	4.1	5.8	6.8	7.7	9.3	10.6	11.8	12.8
3/8	9.5		●	●	●	2.6	2.4	3.1	4.4	5.1	5.9	7.1	8.1	8.9	9.7
	15		●	●	●	3.6	2.4	4.9	6.9	8.1	9.3	11.2	12.7	14.1	15.4
	20					4.0	2.8	6.5	9.2	10.8	12.4	14.9	17	18.8	20
	22		●	●	●	4.5	2.8	7.2	10.2	11.9	13.6	16.4	18.7	21	23
1/2	16		●	●	●	3.5	3.2	5.2	7.4	8.7	9.9	11.9	13.6	15.1	16.4
	25		●	●	●	4.6	3.2	8.2	11.6	13.5	15.4	18.6	21	24	26
	32		●	●	●	5.2	3.6	10.4	14.7	17.3	19.8	24	27	30	33
	40		●	●	●	6.2	3.6	13.1	18.5	22.0	25.0	30	34	38	41
	50					6.7	4.0	16.3	23.1	27.0	31.0	37	32	47	51
3/4	2.5	●		●		4.9	4.4	9.6	11.2	15.9	18.2	22	25	28	30
	4	●		●		6.4	4.4	15.4	18	26	29	35	40	44	48
	7	●		●		9.5	5.2	27	31	45	51	61	70	78	84
1	4.2	●		●		6.0	5.6	16.2	18.9	27	31	37	42	47	51
	7	●		●		8.3	5.6	27	31	45	51	61	70	78	84
	8	●		●		9.5	5.6	31	36	51	58	70	80	89	97
	10	●		●		11.9	5.6	38	45	64	73	88	100	111	121
	12	●		●		11.9	6.4	46	54	77	87	105	120	133	145
1-1/4	6	●				7.4	6.4	23	27	38	44	53	60	67	72
	10	●				9.6	6.4	38	45	64	73	88	100	111	121
	12	●				10.7	6.4	46	54	77	87	105	120	133	145
	14	●				12.3	6.4	54	63	89	102	123	140	155	169
	20	●				15.1	7.9	77	90	128	146	175	200	220	240
1-1/2	10	●				9.5	8.7	38	45	64	73	88	100	111	121
	16	●				12.7	8.7	62	72	102	116	140	160	178	193
	20	●				14.3	8.7	77	90	128	146	175	200	220	240
	30	●				18.3	10.3	115	135	191	220	265	300	330	360
2	17	●				12.7	11.1	65	76	108	124	149	170	189	205
	30	●				17.3	11.1	115	135	191	220	265	300	330	360
	35	●				19.2	11.1	135	157	225	255	310	350	390	425
	40	●				21	11.1	154	180	255	295	350	400	445	485
	50	●				23.8	14.3	192	225	320	365	440	500	560	610
	60	●				28.6	14.3	230	270	385	440	530	600	670	730
2-1/2	25	●				15.1	14.3	96	112	159	182	220	250	280	305
	50	●				22.2	14.3	192	225	320	365	440	500	560	610
	42	●				19.1	17.5	162	189	270	310	370	420	470	510
3	80	●				27.8	17.5	310	360	510	590	700	800	890	970
	90	●				30.2	17.5	350	405	580	660	790	900	1000	1090
	100	●				32.5	17.5	385	450	640	730	880	1000	1110	1210
	120	●				34.9	20.6	465	540	770	880	1060	1200	1340	1450
	160	●				42.9	19.1	620	720	1020	1170	1410	1610	1780	1930
4	180	●				47.2	22.2	700	810	1150	1310	1580	1810	2000	2170
	200	●				50.8	25.4	770	900	1280	1460	1760	2010	2220	2420
	210	●				54.8	25.4	810	950	1340	1530	1850	2110	2330	2540
	250	●				47.6	28.6	970	1130	1600	1820	2200	2510	2780	3020
5	280	●				52.8	28.6	1080	1260	1790	2040	2460	2810	3110	3380
	320	●				68.3	34.9	1240	1440	2040	2330	2810	3210	3550	3870
	330	●				72.2	34.9	1270	1490	2110	2410	2900	3310	3670	3990
	350	●				61.1	41.3	1350	1580	2240	2550	3070	3510	3890	4230
6	400	●				69.1	41.3	1540	1800	2550	2920	3510	4010	4440	4830
	450	●				77	44.5	1740	2030	2870	3280	3950	4510	5000	5430
	480	●				81.8	44.5	1850	2160	3060	3500	4210	4810	5330	5800
	500	●				69.9	47.6	1930	2250	3190	3640	4390	5010	5550	6040
8	600	●				80.2	47.6	2310	2700	3830	4370	5270	6010	6660	7240
	700	●				91.3	47.6	2700	3150	4470	5100	6140	8010	7770	8450
	800	●				102	57.2	3080	3600	5110	5830	7020	8010	8880	9660
	900	●				124	57.2	3170	4050	5740	6560	7900	9020	9990	10900



BW/BBW wide angle series spray nozzles features a solid cone spray pattern with a round impact area and spray angles between 120° and 125° they produce a uniform distribution of medium to large sized drops over a wide range of flow rates and pressure, they are ideal for applications requiring complete coverage to a certain area. with the uniform spray distribution resulting from a unique vane design and exact size, the nozzle insure correct and dependable performance. Wide angle Material: Brass, SS, 316SS

PERFORMANCE DATA

Wide angle

Inlet Conn. NPT or BSPT	Capacity size	Nozzle type		Orifice Diam. Nom. mm	Max. Free Passage Diam. mm	Capacity (liters per minute)										Spray angle		
		BW one-piece	BBW two-piece			0.2 Bar	1 bar	1.5 Bar	2 Bar	3 Bar	4 Bar	5 Bar	6 Bar	7 Bar	10 Bar	0.5 Bar	1.5 Bar	6 Bar
1/8	2.8W	●	●	1.6	1.0		1.2	1.5	1.7	2.0	2.3	2.5	2.7	2.9	3.5	116°	120°	102°
	4.3W	●	●	2.0	1.0		1.9	2.3	2.6	3.1	3.5	3.9	4.2	4.5	5.4	116°	120°	102°
	5.6W	●	●	2.4	1.0	1.8	2.5	3.1	3.4	4.0	4.6	5.1	5.5	5.9	7.1	116°	120°	102°
	8W	●	●	2.4	1.3	2.6	3.6	4.4	4.8	2.8	6.6	7.2	7.8	8.4	10.1	116°	120°	102°
1/4	10W	●	●	2.8	1.3	3.3	4.5	5.5	6.0	7.2	8.2	9.1	9.8	10.8	12.7	117°	120°	103°
	12W	●	●	3.2	1.3	3.9	3.9	6.5	7.3	8.7	9.8	10.9	11.8	12.7	15.2	117°	120°	103°
	14W	●	●	3.6	1.6	4.6	6.2	7.6	8.5	10.1	11.5	12.7	13.7	14.8	17.7	117°	120°	103°
3/8	17W	●	●	4.0	1.6	5.6	7.6	9.3	10.3	12.3	13.9	15.4	16.7	18.0	21.6	117°	120°	103°
	20W	●	●	4.4	2.4	6.6	8.9	10.9	12.1	14.5	16.5	18.1	19.6	21.2	25.3	117°	120°	104°
	24W	●	●	4.8	2.4	7.9	10.7	13.1	14.5	17.3	19.7	22.0	24.0	25.9	31	117°	120°	104°
	27W	●	●	5.2	2.8	8.9	12.0	14.7	16.3	19.5	22.0	24.0	26.0	28.1	33.6	117°	120°	104°
1/2	30W	●	●	5.6	2.8	9.9	13.4	16.4	18.1	22.0	25.0	27.0	29.0	31.3	37.4	117°	120°	108°
	35W	●	●	6.0	3.2	11.5	15.6	19.1	21.0	25.0	29.0	32.0	34.0	36.7	43.9	117°	120°	108°
	40W	●	●	6.4	3.2	13.1	17.8	21.8	24.0	29.0	33.0	36.0	39.0	42.1	50.3	117°	120°	108°
	45W	●	●	6.4	3.6	14.8	20.0	24.5	27.0	33.0	37.0	41.0	44.0	47.5	56.8	117°	120°	110°
	50W	●	●	6.7	4.0	16.4	22.0	16.9	30.0	36.0	41.0	45.0	49.0	52.9	63.3	117°	120°	112°

COMMON APPLICATION

- Washing & rising processes
- Quenching and cooling of coke, primary metals and other materials
- Suppression of fugitive dust in the processing of bulk ores, coal, limestone, sand and gravel
- Scrubbing, washing and cooling of flue gases to remove fly ash and other products of combustion
- Deluging combustible materials and storage tanks for fire suppression and prevention
- Breaking up and deaerating foam
- Creating and dispersing droplets in chemical reaction processing

ORDERING INFORMATION

1/4 — BB — SS — 10

↓ ↓ ↓ ↓

Inlet connection Nozzle type Material code Capacity size

pipe size