



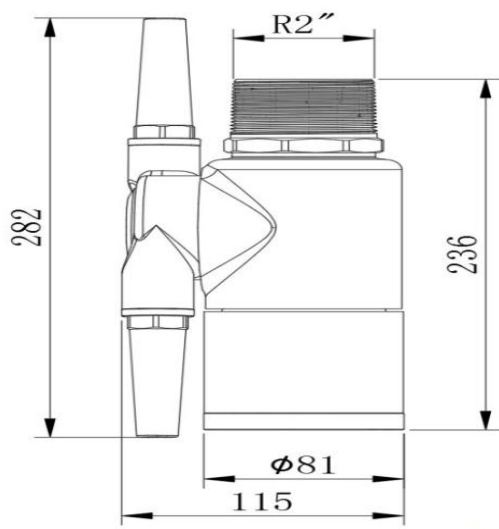
CY SPRAYING & PURIFICATION TECHNOLOGY LIMITED

XIA BIAN INDUSTRY AREA, CHANG AN TOWN, DONGGUAN GUANGDONG

P.R.C CHINA.523710

Phone :+ 86 13712778386 VVV Fax : +86-769-87729252

360° tank washing nozzle



Detailed Parameters:

Material :SS316L

Installation:Male thread connection

Workin Temp.:300℃

Workiing pressure :3-14bar

Medium:Liquid

Range of application:Environmental protection ,Cleaning ,purification ,coating

Advantages and features :

Clean large tank:8-40m

Nozzle rotates 360° around the horizontal and vertical axes at the same time, and a dense mesh is made in the container to ensure that every coner of the container is thoroughly cleaned by the high-impact water flow.

Pressure range :1-21bar ,Suggest to run it under 7-13bar

Flow rate range :6-50 ton/hour

Cleaning time :5min to 35min

Connect thread size :1-1/2 to 2inch pipe thread size (NPT OR BSPT) or flange.

In common make 2" size.